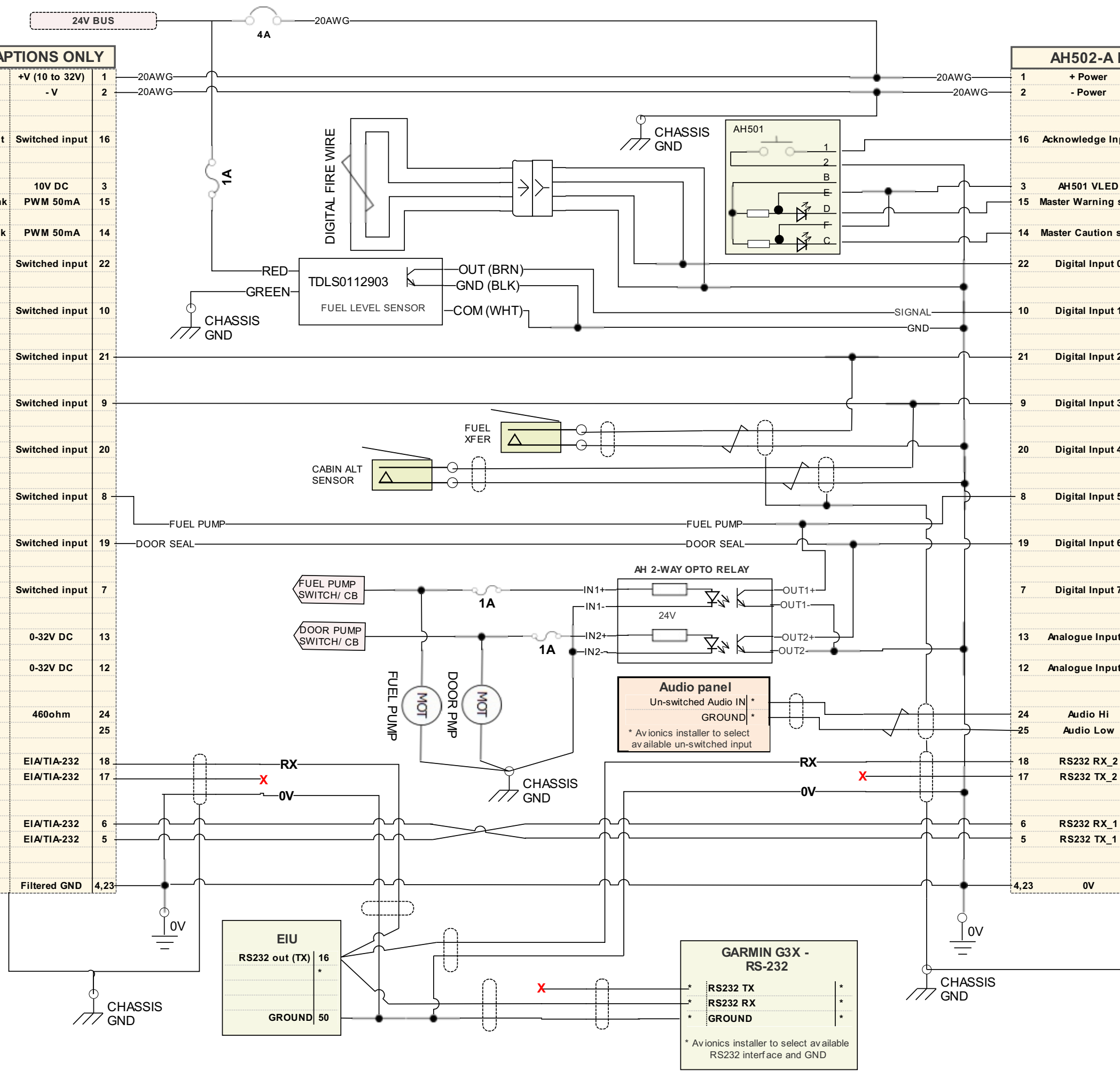


AH502-B CAPTIONS ONLY

+ Power	+V (10 to 32V)	1
- Power	- V	2
Acknowledge Input	Switched input	16
AH501 VLED	10V DC	3
Master Warning sink	PWM 50mA	15
Master Caution sink	PWM 50mA	14
Digital Input 0	Switched input	22
Digital Input 1	Switched input	10
Digital Input 2	Switched input	21
Digital Input 3	Switched input	9
Digital Input 4	Switched input	20
Digital Input 5	Switched input	8
Digital Input 6	Switched input	19
Digital Input 7	Switched input	7
Analogue Input 0	0-32V DC	13
Analogue Input 1	0-32V DC	12
Audio Hi	460ohm	24
Audio Low		25
RS232 RX_2	EIA/TIA-232	18
RS232 TX_2	EIA/TIA-232	17
RS232 RX_1	EIA/TIA-232	6
RS232 TX_1	EIA/TIA-232	5
0V	Filtered GND	4,23

AH502-A MASTER

+ Power	+V (10 to 32V)	1
- Power	- V	2
Acknowledge Input	Switched input	16
AH501 VLED	10V DC	3
Master Warning sink	PWM 50mA	15
Master Caution sink	PWM 50mA	14
Digital Input 0	Switched input	22
Digital Input 1	Switched input	10
Digital Input 2	Switched input	21
Digital Input 3	Switched input	9
Digital Input 4	Switched input	20
Digital Input 5	Switched input	8
Digital Input 6	Switched input	19
Digital Input 7	Switched input	7
Analogue Input 0	0-32V DC	13
Analogue Input 1	0-32V DC	12
Audio Hi	460ohm	24
Audio Low		25
RS232 RX_2	EIA/TIA-232	18
RS232 TX_2	EIA/TIA-232	17
RS232 RX_1	EIA/TIA-232	6
RS232 TX_1	EIA/TIA-232	5
0V	Filtered GND	4,23



GARMIN G3X - RS-232

RS232 TX	
RS232 RX	
GROUND	

* Avionics installer to select available RS232 interface and GND

EIU

RS232 out (TX)	16
GROUND	50